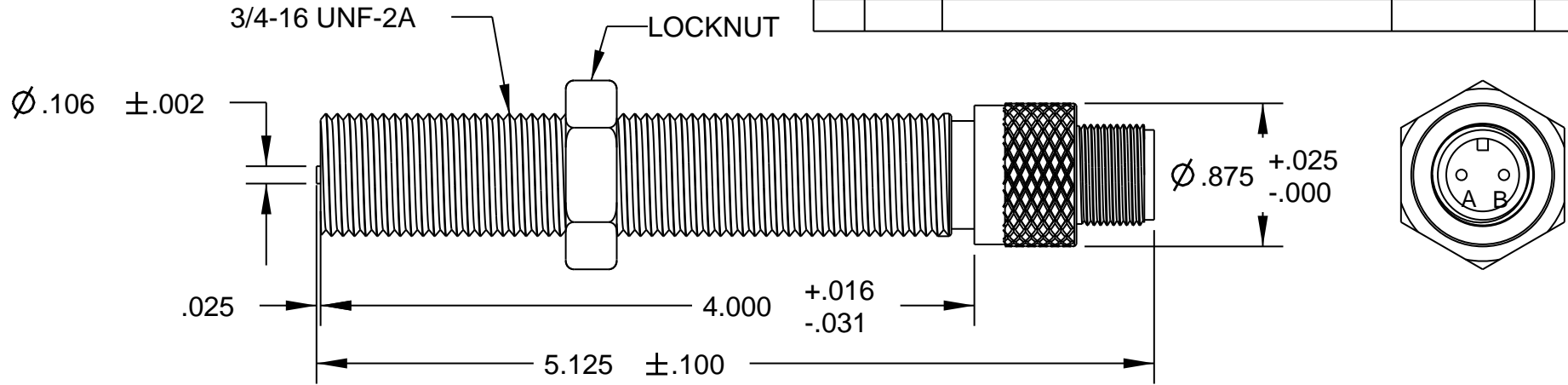


REV	ECN	DESCRIPTION	DATE	DR	CK
A	7866	UPDATE IN CAD	03/17/12	PF	MG



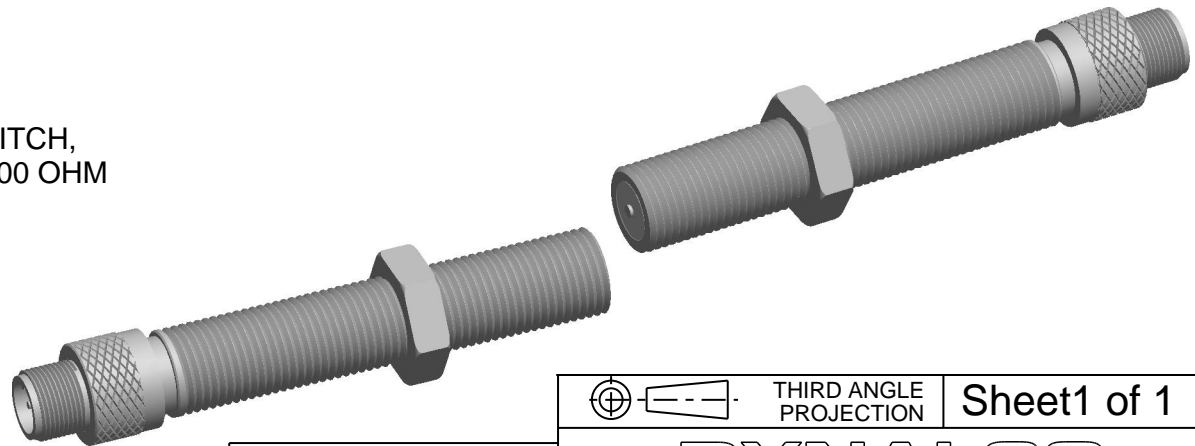
TEMPERATURE RANGE	OUTPUT VOLTAGE (SEE NOTE 1)	DC RESISTANCE AT 75 ° F	INDUCTANCE AT 1Khz	OUTPUT LEADS (SEE NOTE 2)	INSUL. RESISTANCE AT 500 VDC	NET WEIGHT
-65 ° F to +225 ° F	40-65 V P-P	80-110 OHMS	30 MH NOM.	MATES WITH MS3106A-10SL-4S	100 MEGOHMS MIN. COIL TO HOUSING	

NOTES:

- 1-TESTED AT 1000 INCHES/SECOND WITH A 20 PITCH, 30 TOOTH GEAR, 0.005" CLEARANCE AND 100,000 OHM LOAD SHUNTED BY 250 PF.
- 2-WITH APPROACH OF FERROUS METAL, PIN "B" IS POSITIVE WITH RESPECT TO PIN "A".

CONSTRUCTION:

HOUSING ----- 303 STAINLESS STEEL
 POLE PIECE --- 416 STAINLESS STEEL
 POTTING ----- EPOXY RESIN



TOLERANCES		
FRACT.	DEC.	ANGLES
±1/64	.XXX±.005	±1/2°
	.XX±.01	
MATERIAL		
FINISH		

THIRD ANGLE PROJECTION		Sheet 1 of 1	
DYNALCO			
MODEL	M304	DRAWN	PF
PATH	MPROD\PICKUPS\M304	APPROVED	BR
TITLE MAGNETIC PICKUP, MODEL M304			
DATE	11/11/10	A	800-0304
REV	A		

THIS DOCUMENT, ALL INFORMATION CONTAINED IN AND ALL INFORMATION RELATED TO IS PROPERTY OF DYNALCO CONTROLS. IS CONFIDENTIAL TO IT AND NO PART THEREOF NOR ANY SUBSTANTIAL INFORMATION MAY BE COPIED, DISSEMINATED OR USED IN ANY MANNER WHATSOEVER WITHOUT THE PRIOR WRITTEN CONSENT OF DYNALCO AND IS TO BE RETURNED TO DYNALCO UPON REQUEST.